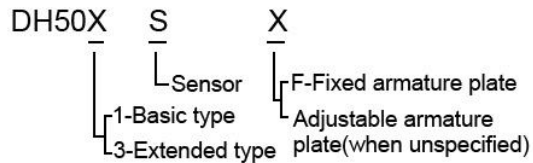


DOOR HOLDER

DH501/DH503

ORDERING INFORMATION



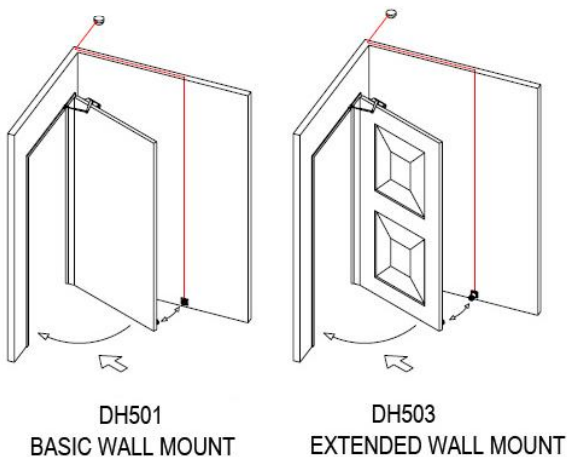
SPECIFICATIONS

- Voltage: 12VDC / 24VDC
- Current Draw:
100mA/12VDC , 50mA/24VDC
- Holding Force: about 50 KGS.
- Built-in voltage spike suppressor
- Adjustable or fixed armature plate
- Sensor (option): DH501 only

FEATURES

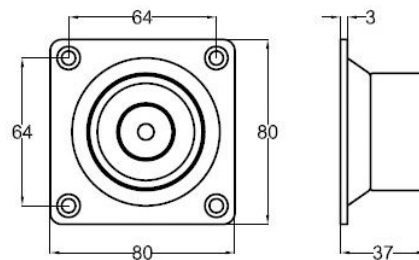
The DH series door holder is a fail-safe unit energized by a power supply installed on large-scale building, between fire escape doors. It releases the armature plate allowing the door closer to close the door when the fire prevention system detects a fire alarm or emergency.

SUGGESTED APPLICATION

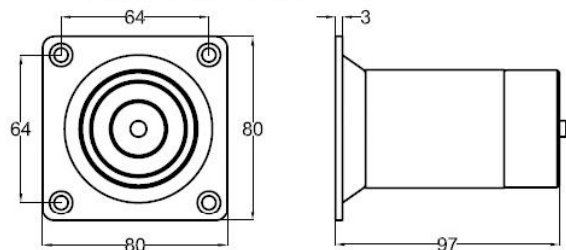


DIMENSIONS

- DH501 : 80Lx80Wx37H mm



- DH503 : 80Lx80Wx97H mm



S-AP702 : 60Lx60Wx55.5H mm

S-AP702F : 60Lx60Wx24H mm

ARMATURE PLATE INSTALLATION

Adjustable type(S-AP702)

Fixed type(S-AP702F)

