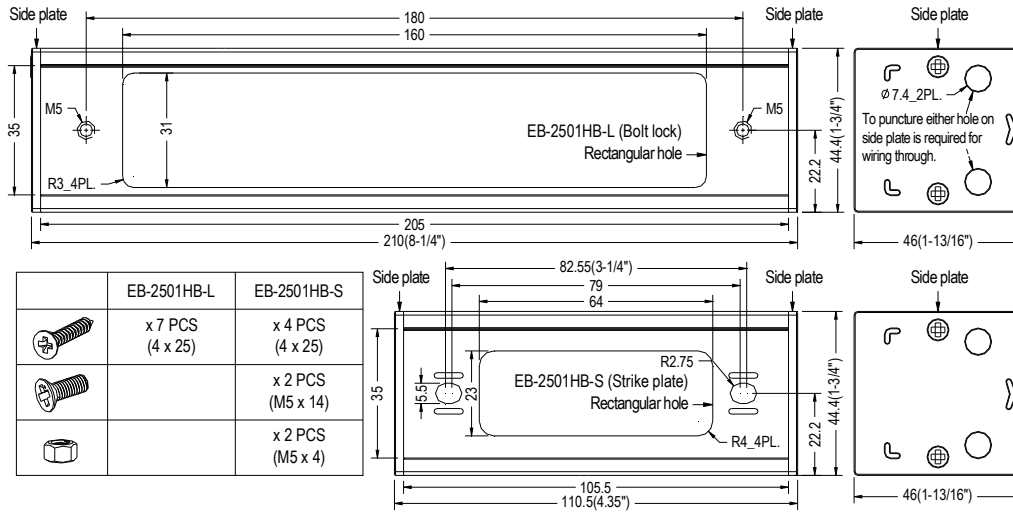


EB-2501HB HANGING BRACKET INSTALLATION INSTRUCTIONS

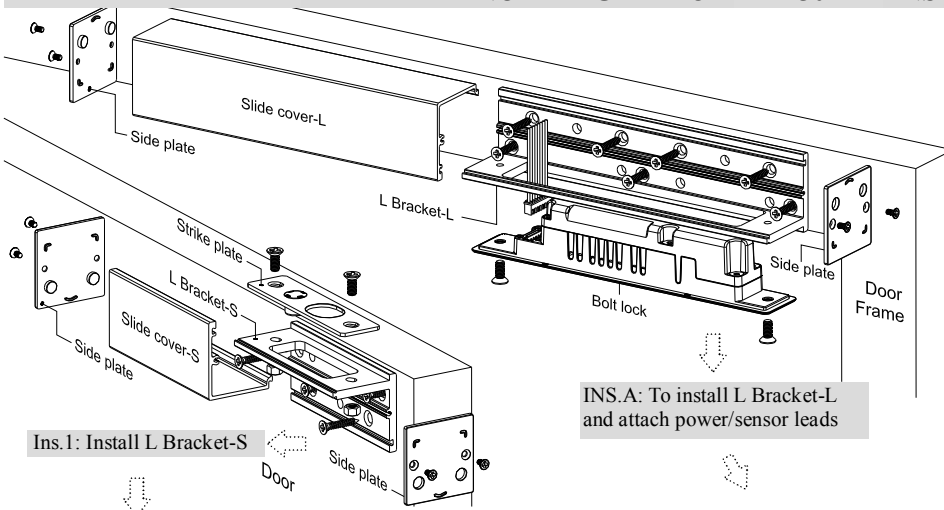
EB-2501HB DIMENSIONS & CONTENTS



EB-2501HB-L (Bolt lock)
 Size: 210L × 44.4W × 46H (mm)
 (8-1/4" L × 1-3/4" W × 1-13/16" H)
 Rectangular Hole: 160L × 31W (mm)

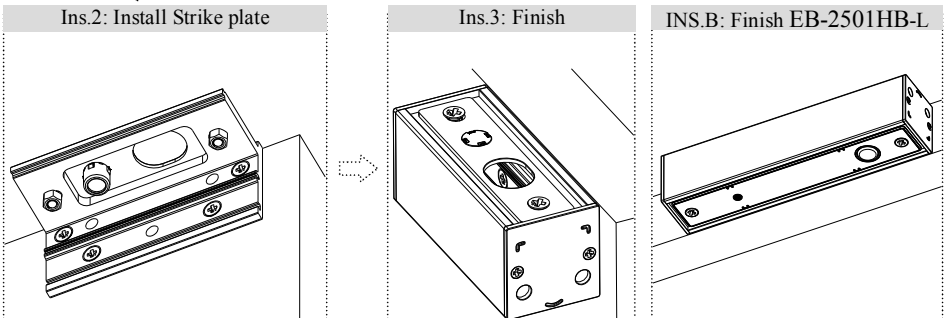
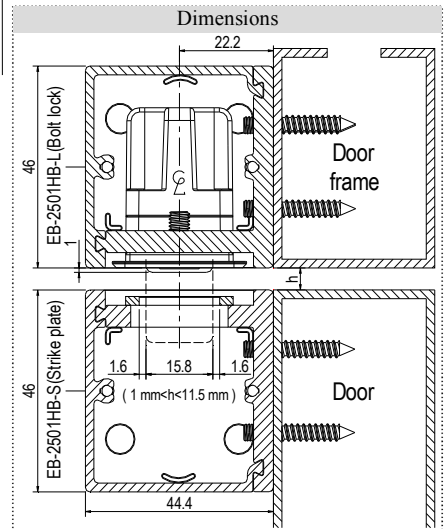
EB-2501HB-S (Strike plate)
 Size: 110.5L × 44.4W × 46H (mm)
 (4.35" L × 1-3/4" W × 1-13/16" H)
 Rectangular Hole: 64L × 23W (mm)

THE REFERENCE DIAGRAM OF EB-2501HB INSTALLATION



EB-2501HB:

- EB-2501HB-L (Bolt lock)
 Size: 210L × 44.4W × 46H (mm)
 (8-1/4" L × 1-3/4" W × 1-13/16" H)
- EB-2501HB-S (Strike plate)
 Size: 110.5L × 44.4W × 46H (mm)
 (4.35" L × 1-3/4" W × 1-13/16" H)
 Suitable for door crack width (h)
 1mm < h < 11.5mm



THE REFERENCE DIAGRAM OF EB-2501HB-S INSTALLATION

