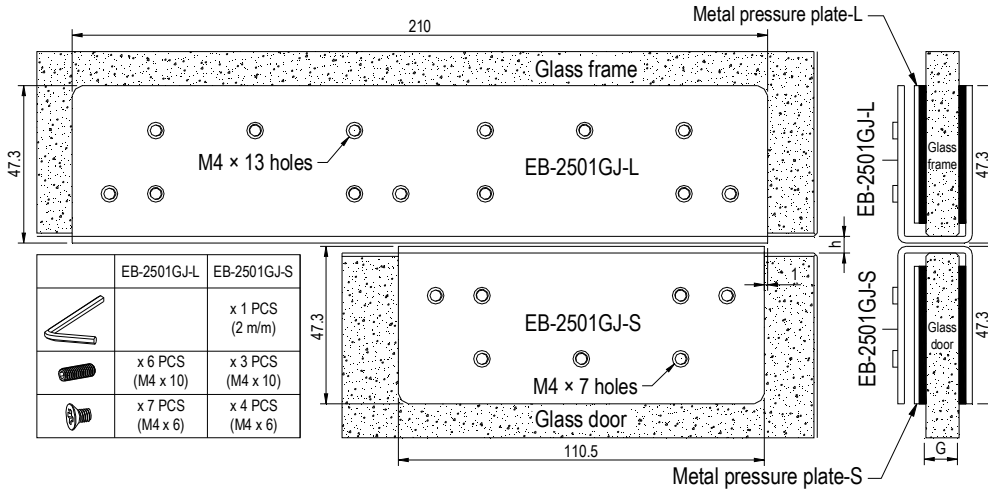


# EB-2501GJ GLASS JIG INSTALLATION INSTRUCTIONS

## EB-2501GJ DIMENSIONS & CONTENTS

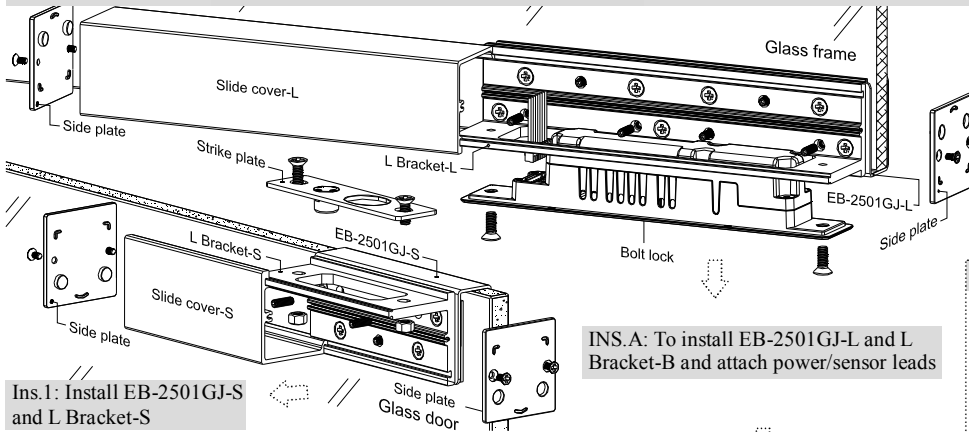


**EB-2501GJ-L (Bolt lock)**  
 Size: 210L x 47.3H (mm)  
 Stainless steel thickness 1.5mm  
 Metal pressure plate-L  
 Size: 203.2L x 40W (mm)

**EB-2501GJ-S (Strike plate)**  
 Size: 110.5L x 47.3H (mm)  
 Stainless steel thickness 1.5mm  
 Metal pressure plate -S  
 Size: 104L x 40W (mm)

Suitable for door crack width (h)  
 4mm < h < 13mm  
 Suitable for glass thickness (G)  
 G=8~12mm

## THE REFERENCE DIAGRAM OF EB-2501HB & EB-2501GJ INSTALLATION



**Ins.1:** Install EB-2501GJ-S and L Bracket-S

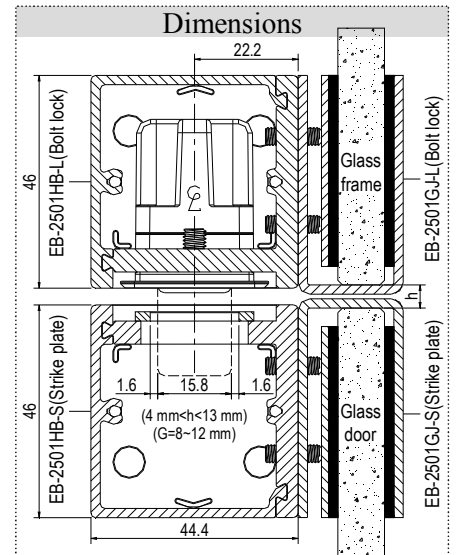
**EB-2501HB & EB-2501GJ:**

- Suitable for door crack width (h)  
4mm < h < 13mm
- Suitable for glass thickness (G)  
G=8~12mm

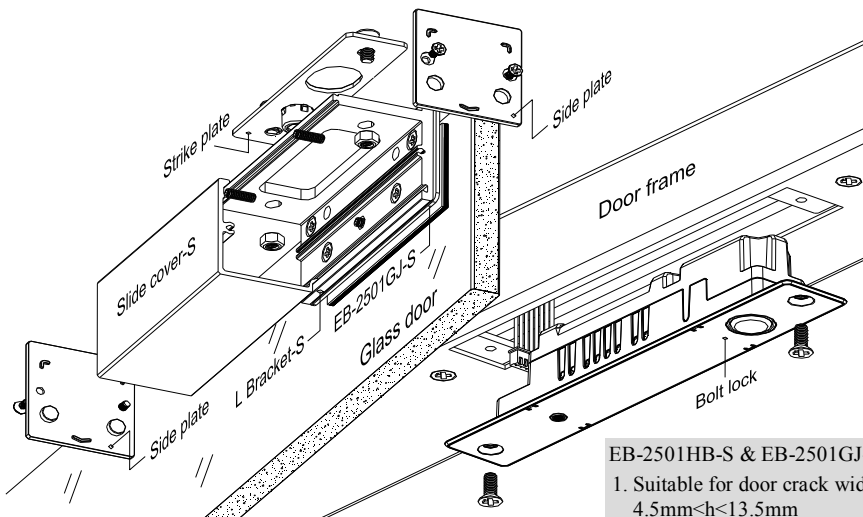
**Ins.2:** Install Strike plate

**Ins.3:** Finish HB-S &

**INS.B:** Finish HB-L &



## THE REFERENCE DIAGRAM OF EB-2501HB-S & EB-2501GJ-S INSTALLATION



**EB-2501HB-S & EB-2501GJ-S**

- Suitable for door crack width (h)  
4.5mm < h < 13.5mm
- Suitable for glass thickness (G)  
G=8~12mm

