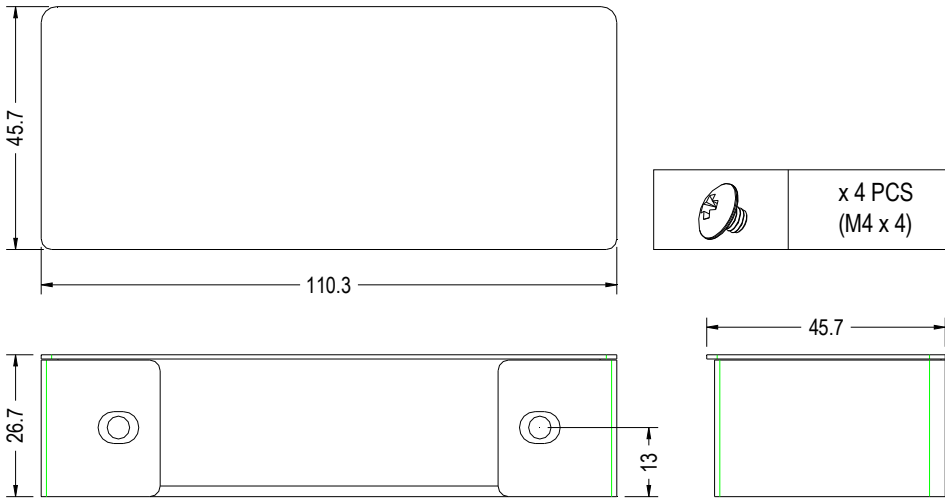


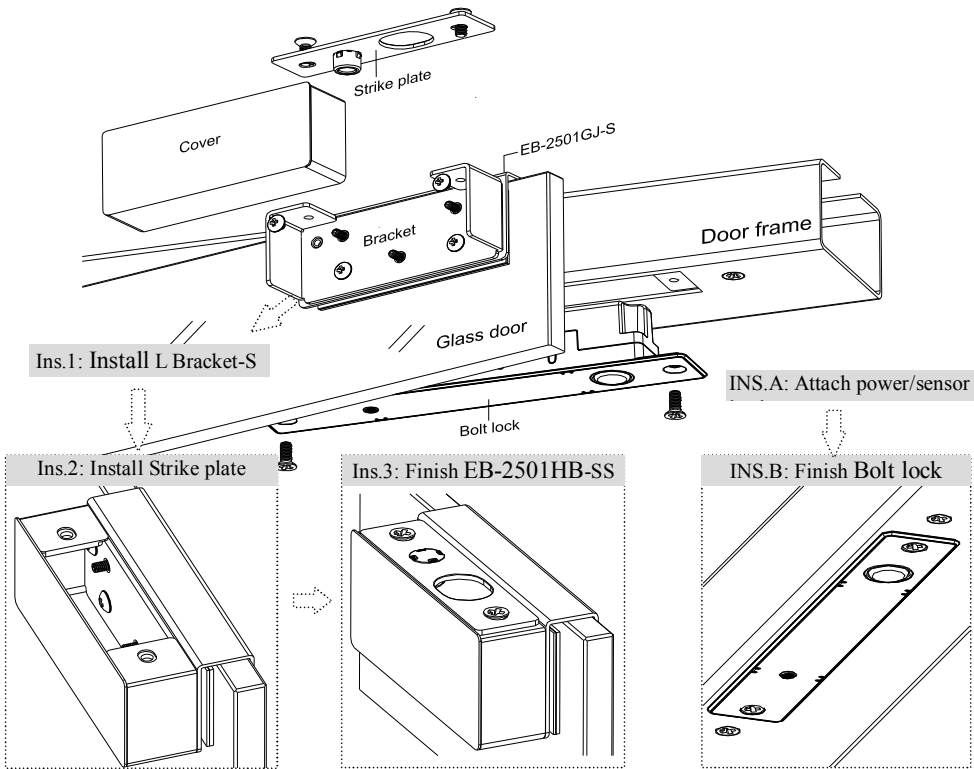
# EB-2501HB-SS HANGING BRACKET INSTALLATION INSTRUCTIONS

## EB-2501HB-SS DIMENSIONS & CONTENTS



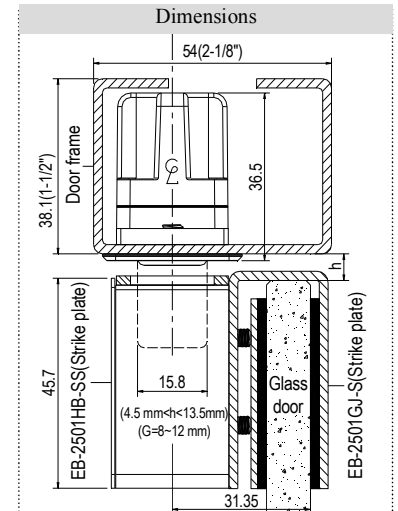
EB-2501HB-SS:  
 Size: 110.3L × 26.7W × 45.7H (mm)  
 MATERIAL:  
 Stainless Steel (SUS 304)

## THE REFERENCE DIAGRAM OF EB-2501HB-SS INSTALLATION (Glass Door)

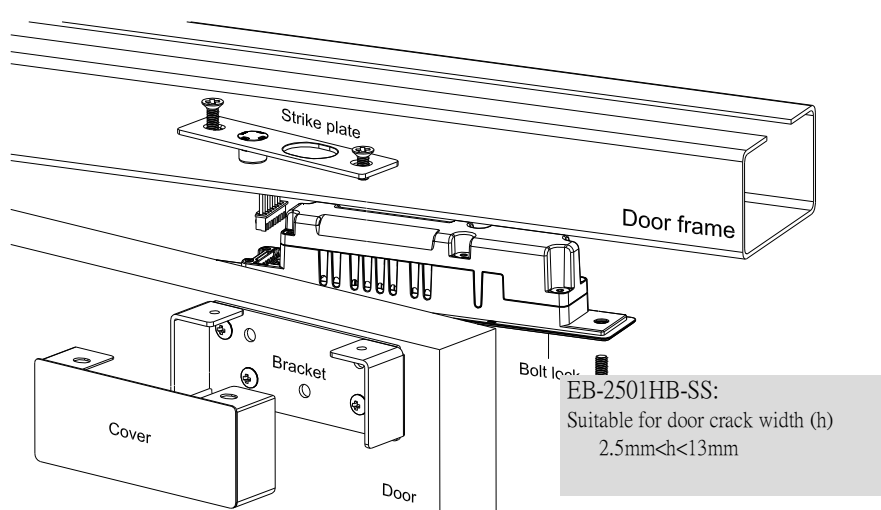


EB-2501HB-SS:

- Suitable for door crack width (h)  
4.5mm < h < 13.5mm
- Suitable for glass thickness (G)  
G=8~12mm



## THE REFERENCE DIAGRAM OF EB-2501HB-SS INSTALLATION (Metal Door)



EB-2501HB-SS:  
 Suitable for door crack width (h)  
 2.5mm < h < 13mm

