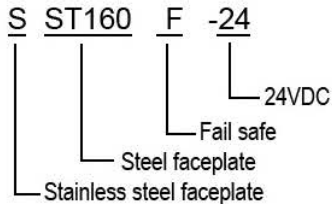


ELECTRIC STRIKE

ST160 SERIES

ORDERING INFORMATION



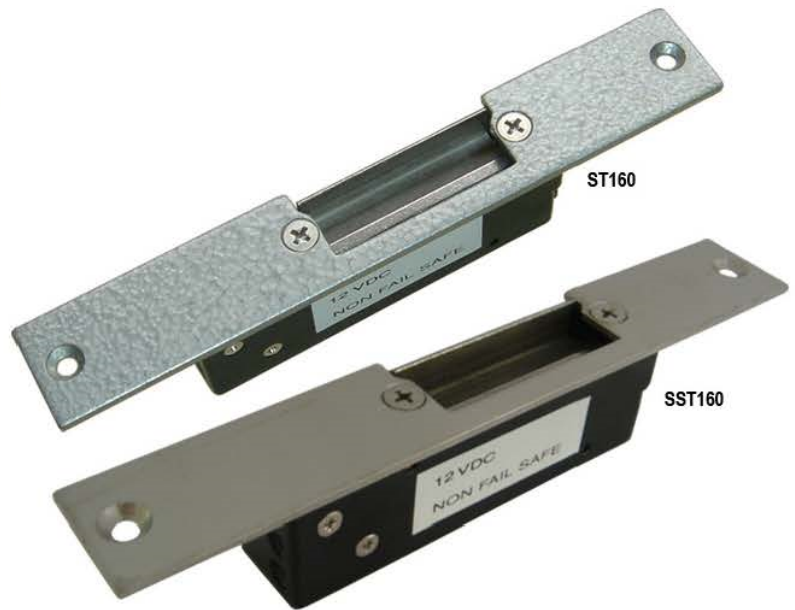
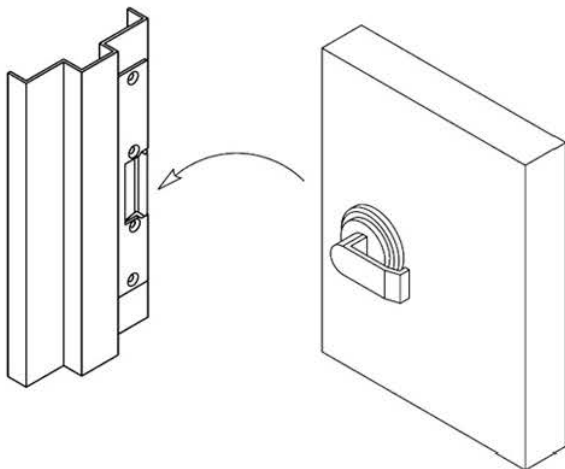
EXAMPLE :

- ST160 – Steel face plate fail secure 12VDC
- SST160 – Stainless steel face plate fail secure 12VDC
- ST160F - Steel face plate fail safe 12VDC
- SST160F-24 – Stainless steel face plate fail safe 24VDC

VOLTAGE / CURRENT DRAW

- Fail secure: 12VDC / 400mA
- Fail secure: 24VDC / 200mA (Specify on order)
- Fail safe: 12VDC/200mA
- Fail safe: 24VDC/100mA (Specify on order)

INSTALLATION



FACE PLATE

- Steel: 160Lx25Wx3T mm
- Stainless steel: 160Lx25Wx2T mm

DOOR LATCH

- 3/8 " (9.5 mm)

DIMENSIONS

- ST160/SST160 : 160Lx25Wx31.4H/30.4H mm
Keeper Depth: 9.6 mm

