

Features & Functions

- ⊙ Fits 30x30 mm frame.
- ⊙ Stainless steel bolts 15.8 mm diameter.
- ⊙ Whole alloy housing & Stainless steel face plate
- ⊙ Holding force over 1000kgf.
- ⊙ Auto-relocking timer setting: 0, 3, 6, 9 sec. for door locking time delay self-regulating by 2-pin dip-switch.
- ⊙ Built-in exit switch input to unlock
(If connected with latch type of exit switch, the bolt lock will be as N.O. without activated till switch off.)



Additional Functions (See Order Information)

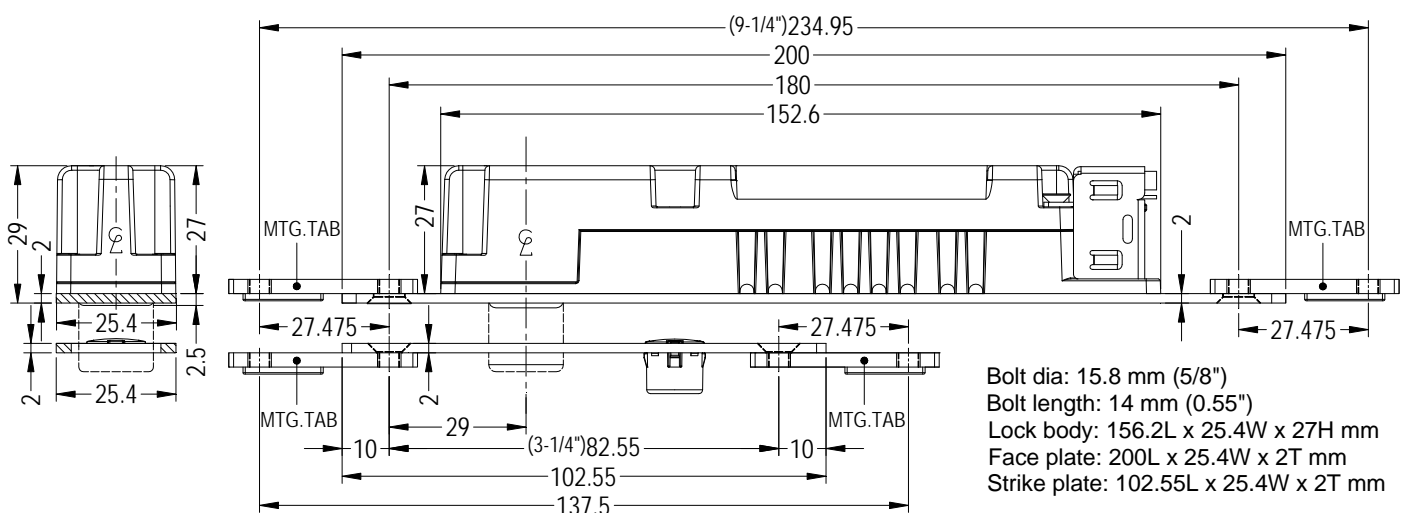
- ⊙ Auto-detective logical (MCU)
- ⊙ Built-in monochrome indicator (Built-in LED)
- ⊙ Lock status sensor output (LSS): Indicates locked or unlocked bolt status_ Optical coupler _ NO TYPE
- ⊙ Door position status output (DSS): Indicates door opened or closed position_ COM,NO (NC depending on the order)
- ⊙ Capability to extend the bicolor indicator by external indicators about 50cm.

Specifications

- ⊙ Power Input: 12VDC or 24VDC(Order)
- ⊙ Current Draw:
 - Pull in: 12VDC-0.98A / 24VDC-0.55A
 - Holding: 12VDC-0.24A / 24VDC-0.15A
- ⊙ Surface Temperature < 40°C (Room Temp. 25°C)
- ⊙ Mechanical life: 500,000 cycles
- ⊙ Holding force: 1005kgf (SGS Report)
- ⊙ Door status sensor : COM,NO (NC depending on the order) (Max.3W, 30VDC, 0.2A)

Dimension

Bolt	Ø15.8 mm (5/8")	Bolt Depth	14 mm (0.55")	Lock Body	152.6L × 25.4W × 27H mm
Face plate	200L × 25.4W × 2T mm	Striker plate	102.55L × 25.4W × 2T mm		



INSTALLATION INSTRUCTIONS

ELECTRIC BOLT LOCKS (Fail-Safe) (Power to lock)



I. Order Information

Features & Functions			Additional Functions (Depending on order requirements)				
Power Input 12 or 24VDC	Remote Release Exit switch sensor	Time delay	Auto-detective logical (MCU)	Built-in LED	LSS	DSS	Extend the LED

II. Features & Functions

- A. Whole alloy housing + stainless steel face plate
- B. Auto-relocking timer setting: 0, 3, 6, 9 sec. for door locking time delay self-regulating by Tact-Switch.
- C. Built-in exit switch input to unlock (If connected with latch type of exit switch, the bolt lock will be as N.O. without activated till switch off.)

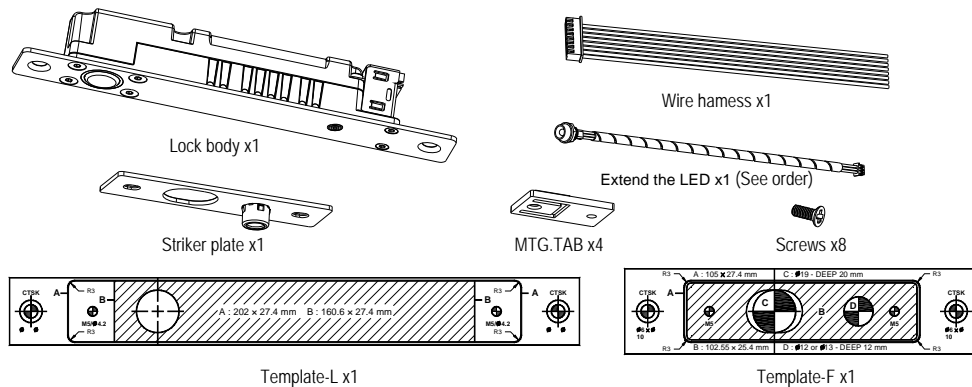
III. Additional Functions (Depending on order requirements)

- 1. Auto-detective logical (MCU)
- 2. Built-in monochrome indicator (Built-in LED)
- 3. Lock status sensor output (LSS): Indicates locked or unlocked bolt status_ Optical coupler _ NO TYPE
- 4. Door position status output (DSS): Indicates door opened or closed position_ COM,NO (NC depending on the order)
- 5. Capability to extend the LED by external indicators about 50cm (Extend the LED)

IV. Specifications

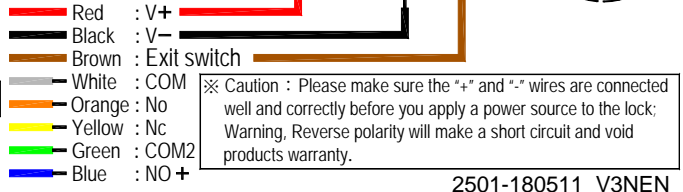
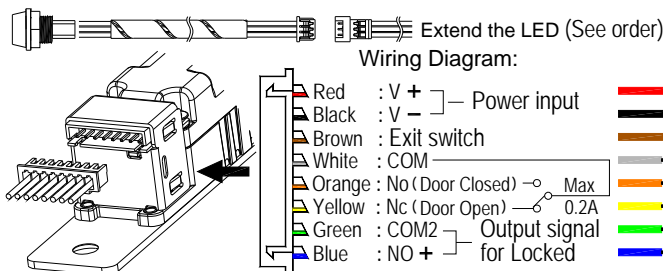
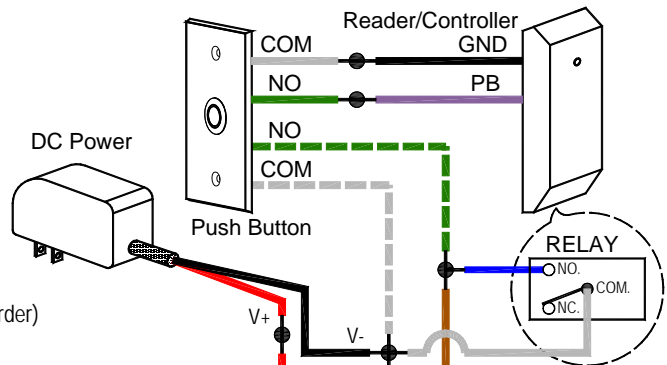
Item	Contents		Remarks	
Power Input and Tolerance	12VDC	24VDC(Order)	Stable PSU recommended	
Current Draw	Pull in	0.98A	0.55A	Changeable by power input and higher outer temp.
	Holding	0.24A	0.15A	Changeable by power input and higher outer temp.
Surface Temperature	< 40 °C		Room Temp. 25 °C	
LSS	Max.6VDC; Max.50mA		Optical coupler _ COM,NO (depending on the order)	
DSS	Max.3W; Max.30VDC; Max.0.2A		Reed switch_ COM,NO (NC depending on the order)	

V. Contents



VI. Wiring diagram

V+ (12 or 24VDC)	Red (22AWG)
V- (GND)	Black (22AWG)
Exit Switch	One close to Black (22AWG)
	One close to Brown (26AWG)
DSS (Door Status Sensor)	COM1-White (26AWG)
	NO-Orange (26AWG)
	NC-Yellow (26AWG)
LSS_Optical coupler (Lock Status Sensor)	COM2-Green (26AWG)
	NO+ -Blue (26AWG)

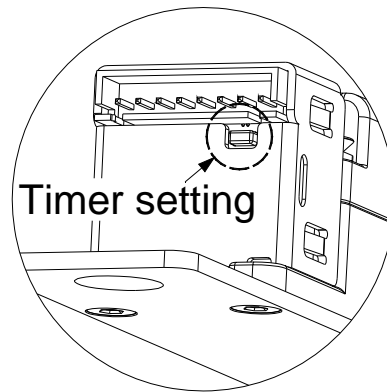


2501-180511_V3NEN

⚠ **Caution :** Please make sure the "+" and "-" wires are connected well and correctly before you apply a power source to the lock; Warning, Reverse polarity will make a short circuit and void products warranty.

VII. Auto relocking timer setting (TACT SWITCH)

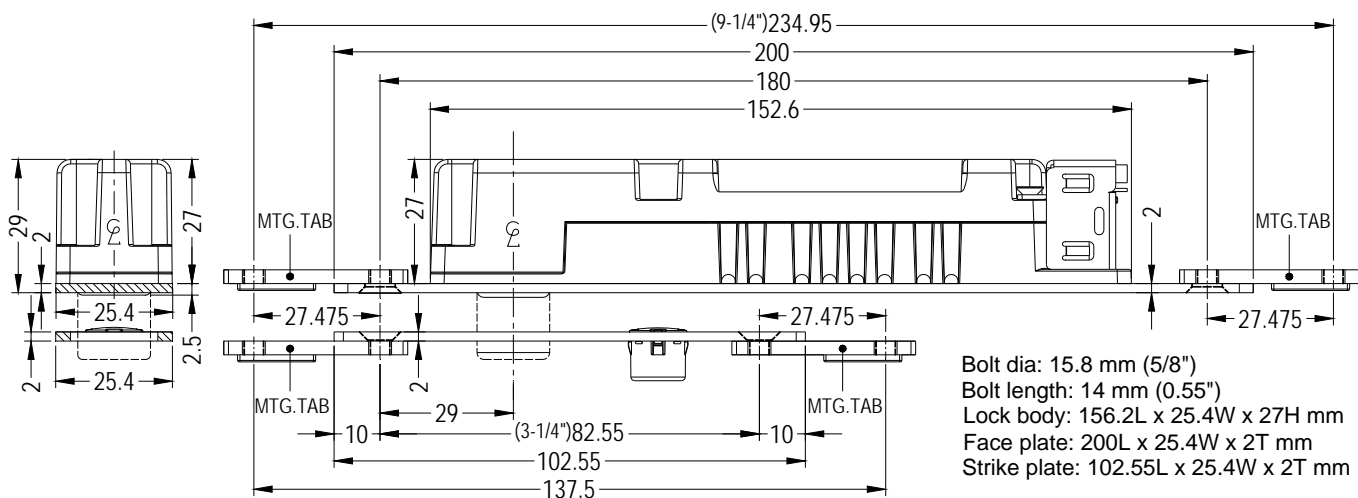
Timer	Tact switch	Door close	Door open (Reset)
3 sec.	Touch 1 time	3 sec.	3 sec. (6 sec.)
6 sec.	Touch 2 times	6 sec.	6 sec. (12 sec.)
9 sec.	Touch 3 times	9 sec.	9 sec. (18 sec.)
0 sec.	Touch 4 times	0.5 sec.	0.5 sec. (3 sec.)



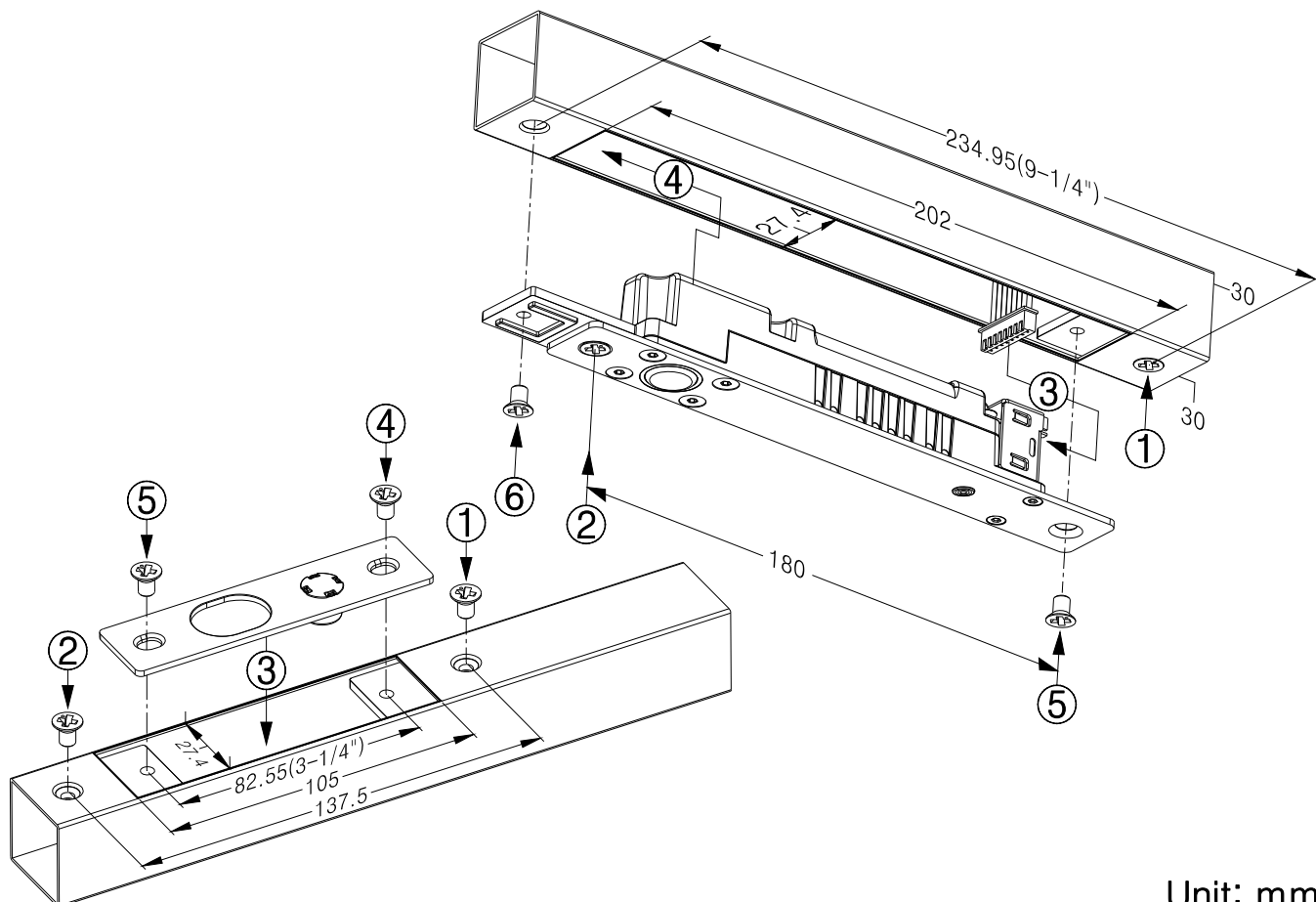
※ **Caution** : Turn the power off and on to set the re-lock delay timer within 20 seconds.

VIII. Dimension

Bolt	Ø15.8 mm (5/8")	Bolt Depth	14 mm (0.55")	Lock Body	152.6L × 25.4W × 27H mm
Face plate	200L × 25.4W × 2T mm	Striker plate	102.55L × 25.4W × 2T mm		



IX. Installation Diagram



Unit: mm