

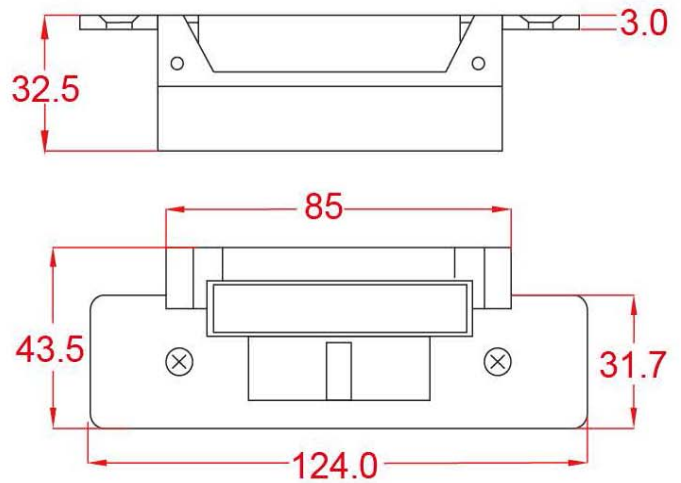
ST125D SERIES

Fail safe / Fail secure reversible

ELECTRIC STRIKES



- ST125D : 124L*43.5W*32.5H mm



▼ ORDERING INFORMATION

ST125D

Door status sensor

EXAMPLE :

- ST125D : Stainless steel faceplate fail secure 12VDC W/Door status sensor
- ST125D-0 : Stainless steel faceplate fail secure 12VDC Basic
- ST125D-EL : ABS Extension lip

▼ SPECIFICATION

- Stainless Faceplate : 124L*32W*3.0T mm
- Door Latch : 1/2" (12.7mm)
- Keeper Depth : 11 mm
- Fail secure : 12VDC / 230mA \pm 10%

▼ SPECIAL FEATURE

- Fail safe / Fail secure reversible

▼ APPLICATION

