

MLSH SERIES

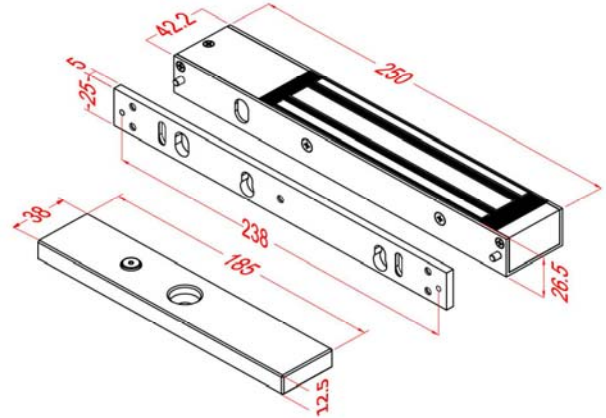
Fail-Safe / Power to lock

ELECTRO MAGNETIC LOCK_600P

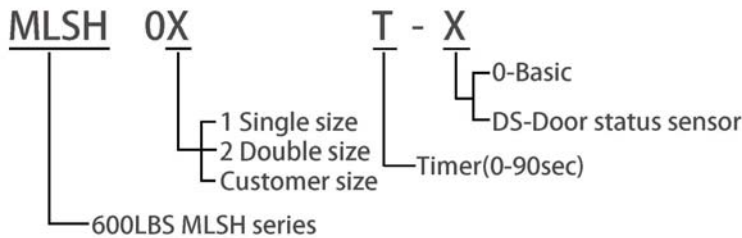
(Surface Mounted)



- Magnet (MLSH01) : 250L*47.2W*26.5D mm
- Magnet (ML10002) : 250L*47.2W*26.5D mm
- Armature Plate : 185L*38W*12.5T mm



▼ ORDERING INFORMATION



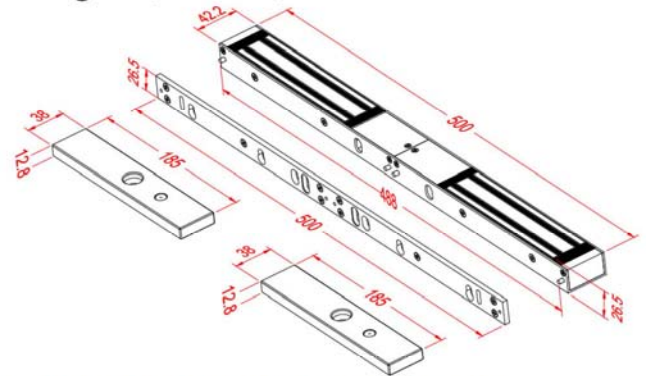
EXAMPLE :

- MLSH01-0 : Maglock 600P Basic
- MLSH01 : Maglock 600P,W/Lock status sensor
- ML10002 : Maglock 600P,W/Lock status sensor
- MLSH02 : Maglock 600P*2 W/Lock status sensor, Timer
- MLSH01T-DS : Maglock 600P W/Lock status sensor , Door status and Timer

▼ SPECIFICATION

- Voltage : 12V/24VDC (Selectable)
- Current Draw : 500mA/12V , 250mA /24V
- Holding Force : about 600LBS
- Built-in voltage spike suppressor ,
- With Bi-color LED
- Adjustable mounting plate for easy and appropriate installation
- Special Finish : Zinc (on the magnet & armature plate)
- Anodized Aluminum housing
- The length can be added according to customer's requests

- Magnet (MLSH02) : 500L*47.2W*26.5D mm



▼ BRACKET INSTALLATION



B1011 - Adjustable L Bracket



SIGNALING



MLS01 SERIES

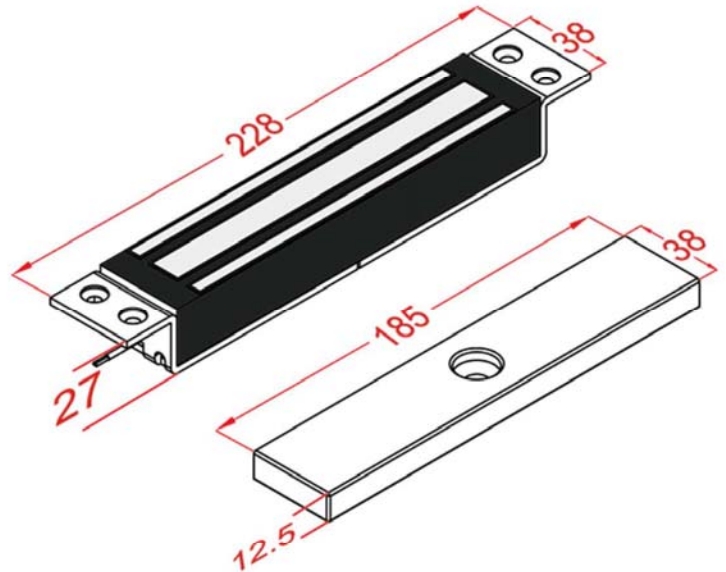
Fail-Safe / Power to lock

ELECTRO MAGNETIC LOCK_600P

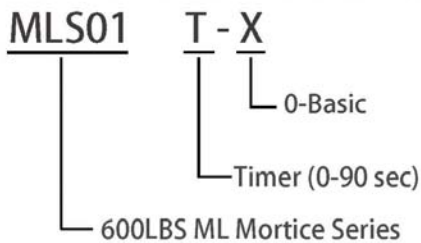
(Mortice Mounted)



- Magnet : 228L*38W*27D mm
- Armature Plate : 185L*38W*12.5T mm



▼ ORDERING INFORMATION



EXAMPLE :

- MLS01-0 : Maglock 600P ,
Mortice mounted, Basic
- MLS01 : Maglock 600P ,
Mortice mounted, W /Lock status sensor
- MLS01T : Maglock 600P , Mortice mounted,
W /Lock status sensor , Timer

▼ SPECIFICATION

- Mortice Mounted
- Voltage : 12V / 24VDC (Selectable)
- Current Draw : 500mA/12V , 250mA /24V
- Holding Force : about 600LBS
- Built-in voltage spike suppressor
- Special Finish : Zinc
(on the magnet & armature plate)

▼ APPLICATIONS

- Suitable for sliding doors
- Selectable material of mounting bracket :
steel(default) or aluminum (optional)

▼ BRACKETS INSTALLATION



B0011A . B0012
Armature Plate Housing



B1012 - L&Z Bracket

SIGNALING

