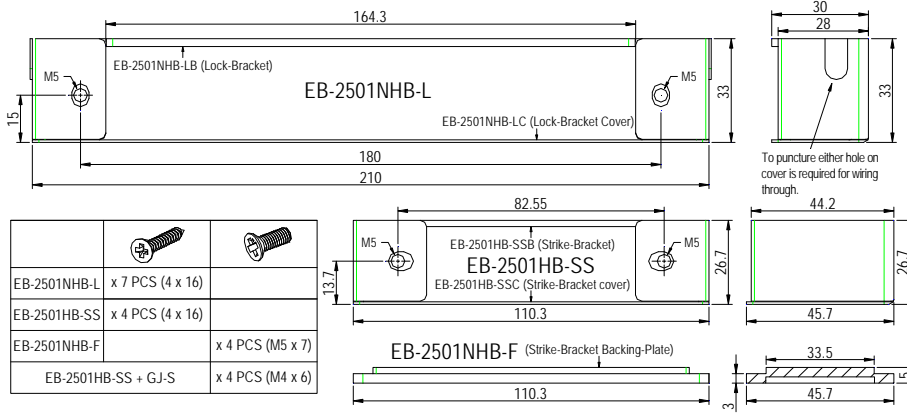


EB-2501NHBF HANGING BRACKET INSTALLATION INSTRUCTIONS

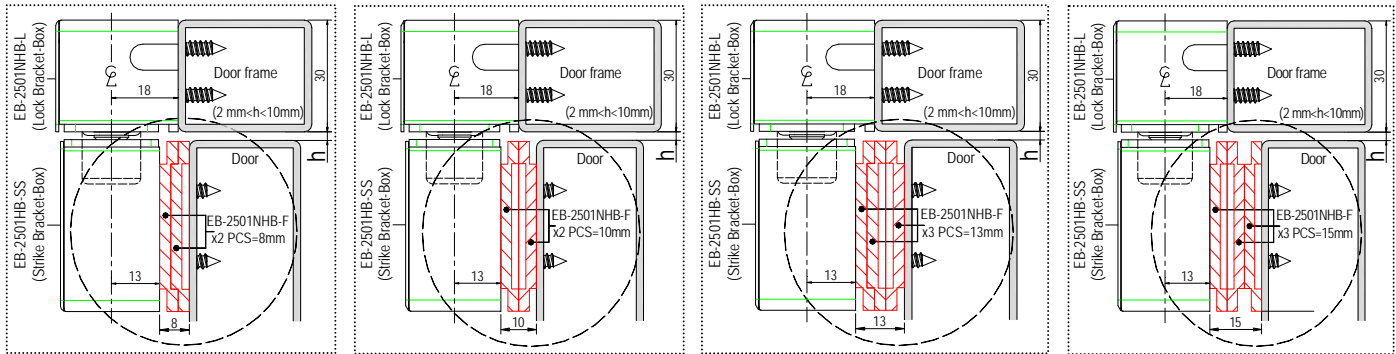
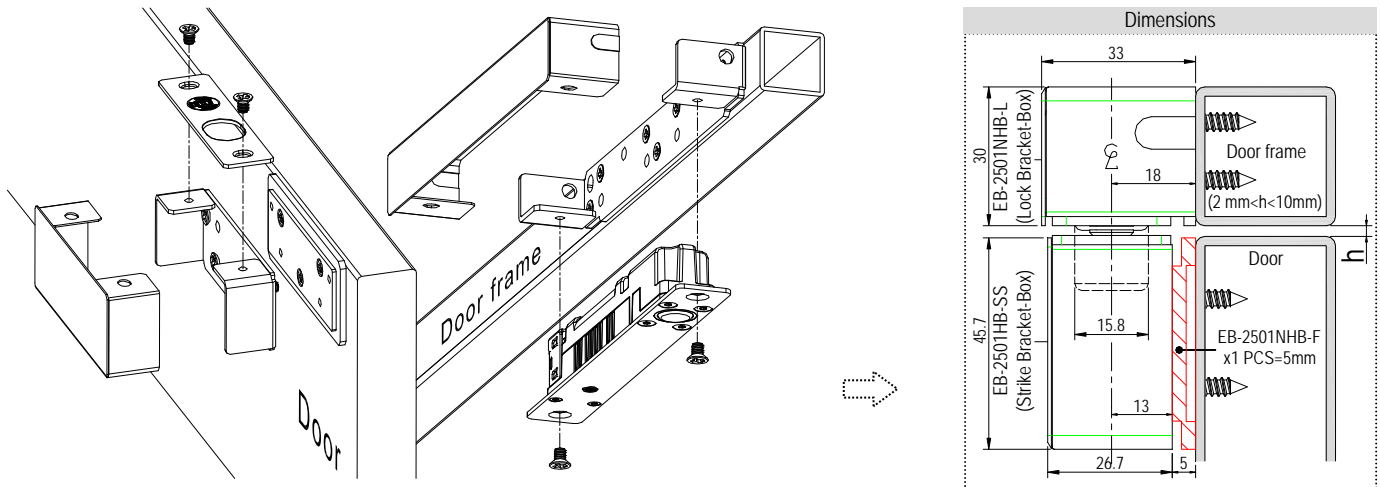
EB-2501NHB DIMENSIONS & CONTENTS



- EB-2501NHB-L (Lock-Bracket Box)
Size: 210L × 33W × 30H (mm)
(8.27"L × 1.3"W × 1.18"H)
- EB-2501NHB-SS (Strike-Bracket Box)
Size: 110.3L × 26.7W × 45.7H (mm)
(4.34"L × 1.05"W × 1.8"H)
- EB-2501NHB-F (Strike-Bracket Backing-Plate)
Size: 110.3L × 45.7W × 5T (mm)
(4.34"L × 1.8"W × 0.2"H)

EB-2501NHB-L	x 7 PCS (4 x 16)	
EB-2501NHB-SS	x 4 PCS (4 x 16)	
EB-2501NHB-F		x 4 PCS (M5 x 7)
EB-2501NHB-SS + GJ-S		x 4 PCS (M4 x 6)

THE REFERENCE DIAGRAM OF EB-2501NHB INSTALLATION



THE REFERENCE DIAGRAM OF EB-2501NHB-SS INSTALLATION

